

## SET UP INFORMATION AND WARNINGS

Full set up information and warnings are contained within the Advantage Feeders User Manual. This can be downloaded from: [www.advantagefeeders.com](http://www.advantagefeeders.com)

- 1 Acidosis can be caused by over consumption of certain feeds. This can be prevented by controlling the quantity fed with Advantage Feeders 3-Way Restriction System. Before filling the feeder, see the User Manual to find out which feeds are safe to use.
- 2 Training stock to use Advantage Feeders 3-Way Restriction System is most successful when stock receive a rewarding experience on their first visits. This is achieved by setting the Upper Adjuster and Lower Adjuster at medium to wide openings for the first 7-10 days. The feed used for this situation must be risk-free from acidosis.
- 3 The Adjuster Guard (the white component that has a series of cut outs) can be positioned in two orientations. When using clean and dust free feed, position it so the coloured dimples are facing downward and not visible. When using dusty feed, position it so the coloured dimples are upward and visible.
- 4 The Adjuster Guard is locked in position by a spring clip at each end of the feeder. To remove the

Adjuster Guard, press the spring clip against the end of the feeder and lift it. When re-positioning the Adjuster Guard (other than the 150HD feeder), ensure its flange is slid between the Upper Adjuster and the braces that support the Upper Adjuster.

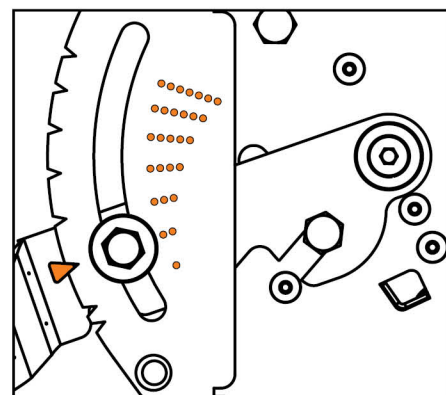
- 5 When the Adjuster Guard is not being used, it can be stored under the weather protected hood (other than the M1000HD, 200HD and 150HD feeders) by sleeving it through the cut-outs in the ends of the feeder.
- 6 Too many stock per feeder will increase the risk of shy feeding. See the User Manual for the recommended number of stock per feeder.
- 7 If stock are consuming a large portion of their diet from the feeder, do not allow the feeder to be completely emptied because refilling can result in aggressive behaviour and trampling. If the feeder does inadvertently empty, ensure the stock are full before refilling the feeder.
- 8 Stock can undermine the soil when accessing the feeder. This can be prevented by placing rubber matting where the stock stand.
- 9 Stock consume spherical feeds (eg. legumes) easier than elongated feeds (eg. grain, pellets). When restricting consumption of spherical feeds, mix them with elongated feeds to achieve your desired intake.

10 In the situation of paddock/field supplementation, feeders are best positioned 400 metres (¼ of a mile) or as far away from the water source as possible. This positioning encourages pasture consumption.

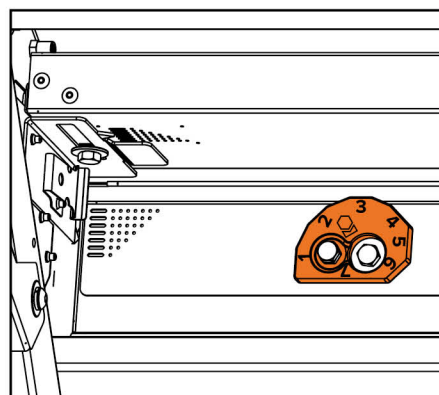
11 The 8000HD, 5500HD, 5300HD and 3800HD feeders can be lifted or skidded with 1500kg (3300lb) of feed in them. All other stationary feeders can be lifted or skidded full.

## CONSUMPTION TABLE INFORMATION

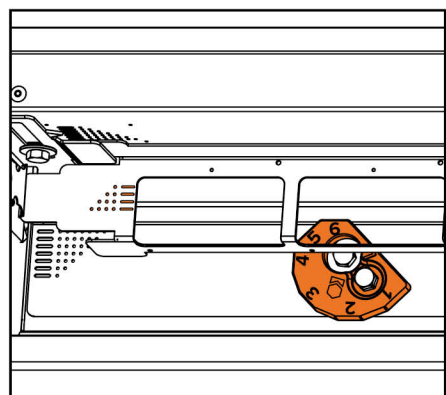
- The tables are a guide only. The size of the feed, quality and quantity of pasture available, and breed, size, age and familiarity of the animal impact daily consumption. Reposition the Upper Adjuster and Lower Adjuster based on your consumption records.
- The tables are based on cereal and small pelletised feeds less than 6mm or ¼" in diameter.
- Generally, stock can consume 3-4% of their body weight of grain, pellets or a meal mix per day. Where the figures in the tables indicate 10kg (22lb)/head/day for cattle or 1kg (2.2lb)/head/day for sheep and goats, stock may be able to consume more.



**Setting the Upper Adjuster Position**  
Align the triangle cut-out in the Upper Adjuster Handles at the notch with the desired number of holes. See the image above showing Upper Adjuster position 2.



**Setting the Lower Adjuster Position**  
Rotate the Lower Adjuster Cam to rest the Lower Adjuster at the desired position. See the image above showing Lower Adjuster position 3.



**Setting the Lower Adjuster position when the Adjuster Guard is orientated for dusty feed**  
When the orange markings on the Adjuster Guard are visible, increase the setting on the Lower Adjuster Cam by 3 to achieve the correct width opening. See the image above showing the Lower Adjuster Cam position 6 resulting in the Lower Adjuster position 3.

## CONSUMPTION GUIDE FOR MATURE CATTLE

KG, LB/HEAD/DAY

SHUT

UPPER ADJUSTER POSITION

OPEN

LOWER ADJUSTER POSITION

SHUT

OPEN

	1		2		3		4		5		6		7	
	KG	LB	KG	LB	KG	LB	KG	LB	KG	LB	KG	LB	KG	LB
1	0.0	0.0	0.0	0.0	0.0	0.0	0.0	0.0	0.0	0.0	0.0	0.0	0.0	0.0
2	0.0	0.0	0.0	0.0	0.0	0.0	0.0	0.0	0.0	0.0	0.0	0.0	0.0	0.0
3	1.5	3.3	2.0	4.4	2.5	5.5	3.0	6.6	3.5	7.7	4.0	8.8	5.0	11.0
4	2.0	4.4	3.0	6.6	4.0	8.8	5.0	11.0	6.0	13.2	7.0	15.4	9.0	19.8
5	3.0	6.6	4.0	8.8	5.0	11.0	6.0	13.2	8.0	17.6	10.0	22.0	10.0	22.0
6	4.0	8.8	5.0	11.0	6.0	13.2	8.0	17.6	10.0	22.0	10.0	22.0	10.0	22.0
7	6.0	13.2	7.0	15.4	9.0	19.8	10.0	22.0	10.0	22.0	10.0	22.0	10.0	22.0

## CONSUMPTION GUIDE FOR MATURE SHEEP AND GOATS

KG, LB/HEAD/DAY

SHUT

UPPER ADJUSTER POSITION

OPEN

LOWER ADJUSTER POSITION

SHUT

OPEN

	1		2		3		4		5		6		7	
	KG	LB	KG	LB	KG	LB	KG	LB	KG	LB	KG	LB	KG	LB
1	0.00	0.00	0.00	0.00	0.00	0.00	0.00	0.00	0.00	0.00	0.00	0.00	0.00	0.00
2	0.15	0.33	0.20	0.44	0.25	0.55	0.30	0.66	0.35	0.77	0.40	0.88	0.50	1.10
3	0.20	0.44	0.30	0.66	0.40	0.88	0.50	1.10	0.60	1.32	0.70	1.54	0.90	1.98
4	0.30	0.66	0.40	0.88	0.50	1.10	0.60	1.32	0.80	1.76	1.00	2.20	1.00	2.20
5	0.40	0.88	0.50	1.10	0.60	1.32	0.80	1.76	1.00	2.20	1.00	2.20	1.00	2.20
6	0.60	1.32	0.70	1.54	0.90	1.98	1.00	2.20	1.00	2.20	1.00	2.20	1.00	2.20
7	0.80	1.76	0.90	1.98	1.00	2.20	1.00	2.20	1.00	2.20	1.00	2.20	1.00	2.20

Visit our website to view the instructional videos on how to get started and use your Advantage Feeders

[advantagefeeders.com](http://advantagefeeders.com)

**ADVANTAGE FEEDERS**