

SET UP INFORMATION AND WARNINGS

Full set up information and warnings are contained within the Advantage Feeders User Manual. This can be downloaded from:

www.advantagefeeders.com

- 1 Acidosis can be caused by over consumption of certain feeds. This can be prevented by controlling the quantity fed with Advantage Feeders 3-Way Restriction System. Before filling the feeder, see the User Manual to find out which feeds are safe to use.
- 2 Training stock to use Advantage Feeders 3-Way Restriction System is most successful when stock receive a rewarding experience on their initial visits. This is achieved by setting the Upper Adjuster and Lower Adjuster at medium to wide openings for the first 7-10 days. The feed used for this situation must be risk-free from acidosis.
- 3 The Adjuster Guard (the white component that has a series of cut outs) can be positioned in two orientations. When using clean and dust free feed, position it so the arrows at each end of it are pointing up. Then using dusty feed, position it so the arrows are pointing down.
- 4 The Adjuster Guard is locked in position by a push pin at the right side of the trough. To remove the Adjuster Guard, press the push pin and lift it. When inserting the Adjuster Guard

(other than on the 200HD and 150 HD feeders), ensure it is slid between the Upper Adjuster and the brace/s that support the Upper Adjuster.

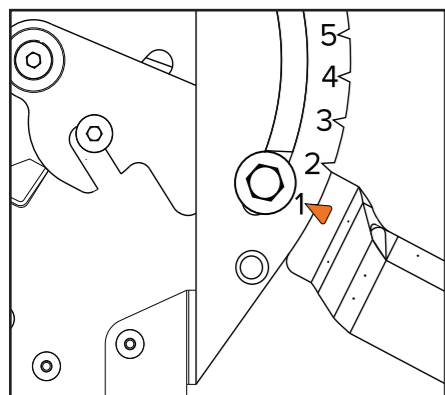
- 5 When the adjuster guard is not in use there is a designated storage location. In most cases the adjuster guard slides into the end of the feeder. If you are unable to identify the storage location please contact us for support.
- 6 Too many stock per feeder will increase the risk of shy feeding. See the User Manual for the recommended number of stock per feeder.
- 7 Do not allow the feeder to become completely empty when stock are receiving the majority of their diet from it. Refilling an empty feeder in these situations can result in trampling and aggressive behavior from hungry stock.
- 8 Stock can erode and pug the soil around the feeder. This can be prevented by placing rubber matting where the stock stand.
- 9 Stock consume spherical feeds (eg. legumes) easier than elongated feeds (eg. grain, pellets). When restricting consumption of spherical feeds, mix them with elongated feeds to achieve your desired intake.
- 10 In the application of paddock/field supplementation, feeders are best positioned 400 metres (1/4 of a mile) or as far away from the

water source as possible. This positioning encourages pasture consumption.

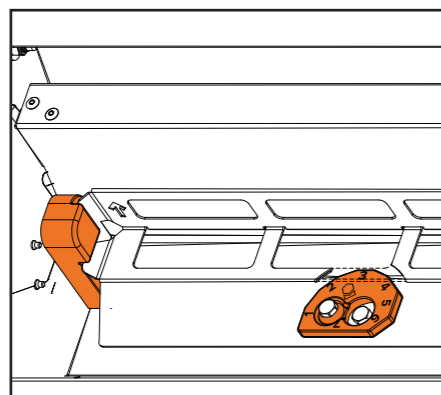
- 11 The 8000HD, 5500HD, 5300HD and 3800HD feeders can be lifted or skidded with 1500kg (3300lb) of feed in them. All other stationary feeders can be lifted or skidded full.
- 12 The Upper Adjuster Handles and Lower Adjuster Cams have locking bolts to secure them in position. The Lower Adjuster Cams also have an extrudes lug that can be used to rotate it.

CONSUMPTION TABLE INFORMATION

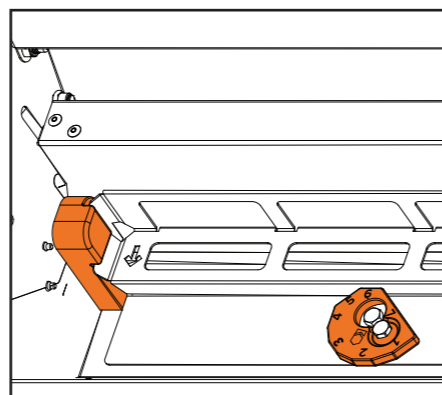
- The tables are guide only. The daily consumption is impacted by the size of the feed, quality and quantity of pasture available, breed, size, age and familiarity of the animal to the feeder.
- The tables are based on cereal and small pelleted feeds less than 6mm or 1/4" in diameter.
- Generally, stock can consume 3-4% of their body weight of grain, pellets or a meal mix per day. Where the figures in the tables indicate 10kg (22lb)/head/day for cattle or 1kg (2.2lb)/head/day for sheep and goats, stock may be able to consume more.



Setting the Upper Adjuster Position
Align the triangle cut-out (pictured in orange) in the Upper Adjuster Handle at the notch with the desired number. See the image above showing Upper Adjuster position 1.



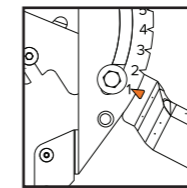
Setting the Lower Adjuster position when the Adjuster Guard is orientated for free flowing feed (arrows are pointing up)
Rotate the Lower Adjuster Cam to rest the Lower Adjuster at the desired number. See the image above showing Lower Adjuster position 3.



Setting the Lower Adjuster position when the Adjuster Guard is orientated for dusty feed (arrows are pointing down)
When the arrows on the ends of the Adjuster Guard are pointing down, increase the setting on the Lower Adjuster Cam by 3 to achieve the correct width opening. See the image above showing the Lower Adjuster Cam position 6 resulting in the Lower Adjuster position 3.

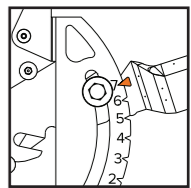
CONSUMPTION GUIDE FOR MATURE CATTLE

KG-LB/HEAD/DAY

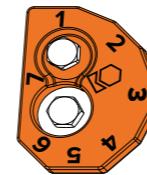


POSTION 1

UPPER ADJUSTER POSITION

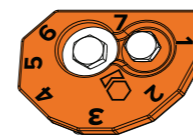


POSTION 7



POSTION 1

LOWER ADJUSTER POSITION

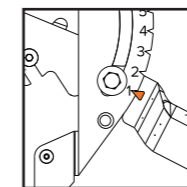


POSTION 7

	1		2		3		4		5		6		7	
	KG	LB	KG	LB	KG	LB	KG	LB	KG	LB	KG	LB	KG	LB
1	0.0	0.0	0.0	0.0	0.0	0.0	0.0	0.0	0.0	0.0	0.0	0.0	0.0	0.0
2	0.0	0.0	0.0	0.0	0.0	0.0	0.0	0.0	0.0	0.0	0.0	0.0	0.0	0.0
3	1.5	3.3	2.0	4.4	2.5	5.5	3.0	6.6	3.5	7.7	4.0	8.8	5.0	11.0
4	2.0	4.4	3.0	6.6	4.0	8.8	5.0	11.0	6.0	13.2	7.0	15.4	9.0	19.8
5	3.0	6.6	4.0	8.8	5.0	11.0	6.0	13.2	8.0	17.6	10.0	22.0	10.0	22.0
6	4.0	8.8	5.0	11.0	6.0	13.2	8.0	17.6	10.0	22.0	10.0	22.0	10.0	22.0
7	6.0	13.2	7.0	15.4	9.0	19.8	10.0	22.0	10.0	22.0	10.0	22.0	10.0	22.0

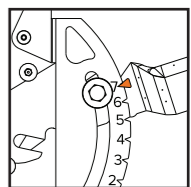
CONSUMPTION GUIDE FOR MATURE SHEEP AND GOATS

KG-LB/HEAD/DAY

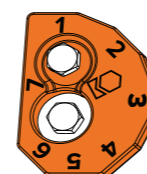


POSTION 1

UPPER ADJUSTER POSITION

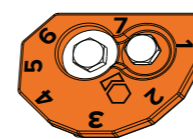


POSTION 7



POSTION 1

LOWER ADJUSTER POSITION



POSTION 7

	1		2		3		4		5		6		7	
	KG	LB	KG	LB	KG	LB	KG	LB	KG	LB	KG	LB	KG	LB
1	0.00	0.00	0.00	0.00	0.00	0.00	0.00	0.00	0.00	0.00	0.00	0.00	0.00	0.00
2	0.15	0.33	0.20	0.44	0.25	0.55	0.30	0.66	0.35	0.77	0.40	0.88	0.50	1.10
3	0.20	0.44	0.30	0.66	0.40	0.88	0.50	1.10	0.60	1.32	0.70	1.54	0.90	1.98
4	0.30	0.66	0.40	0.88	0.50	1.10	0.60	1.32	0.80	1.76	1.00	2.20	1.00	2.20
5	0.40	0.88	0.50	1.10	0.60	1.32	0.80	1.76	1.00	2.20	1.00	2.20	1.00	2.20
6	0.60	1.32	0.70	1.54	0.90	1.98	1.00	2.20	1.00	2.20	1.00	2.20	1.00	2.20
7	0.80	1.76	0.90	1.98	1.00	2.20	1.00	2.20	1.00	2.20	1.00	2.20	1.00	2.20

Visit our website to view the instructional videos on how to get started and use your Advantage Feeders

www.advantagefeeders.com